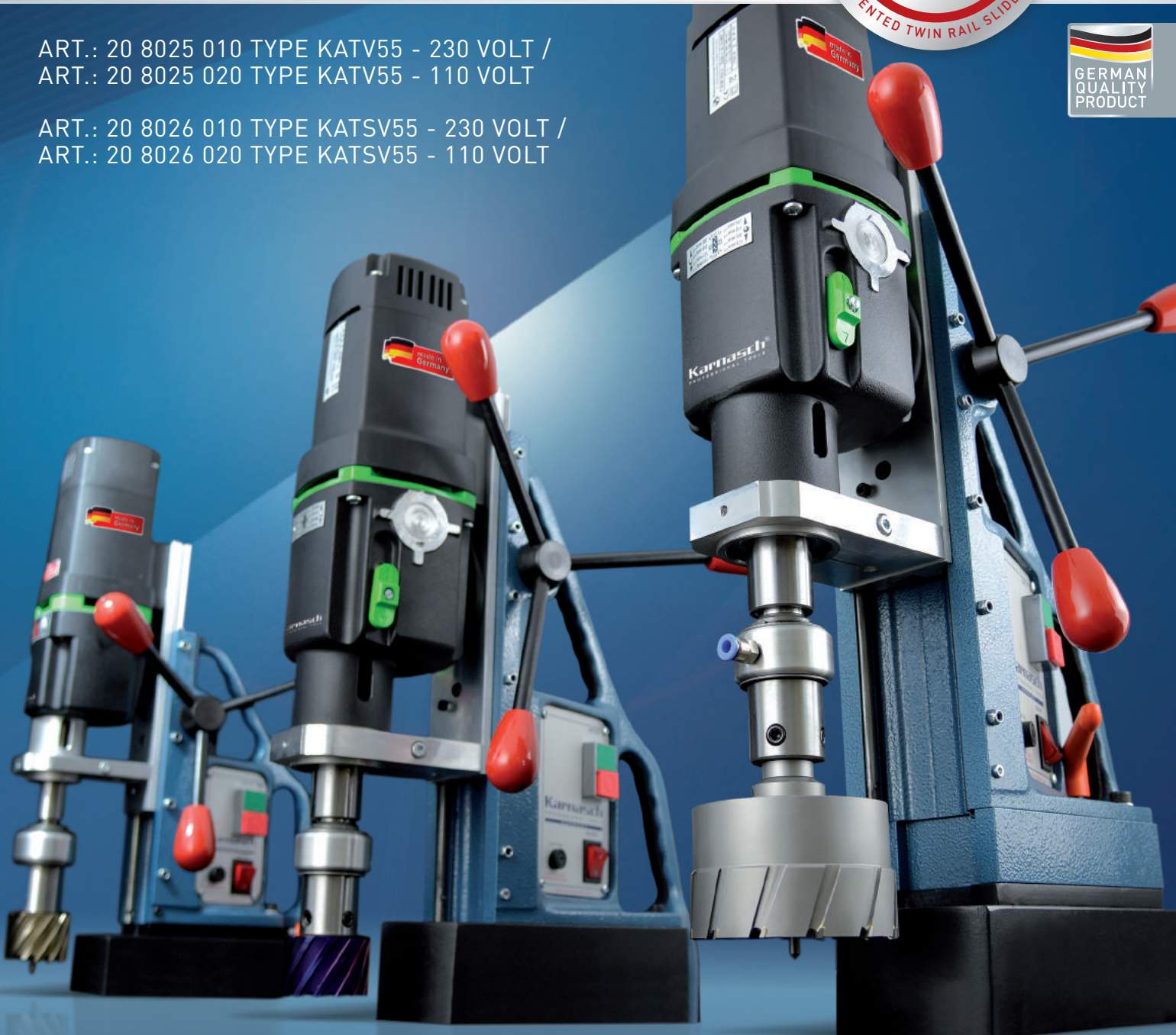


**SPARE PARTS LIST MOTOR FOR KARNASCH
MAGNETIC HOLE CUTTING MACHINES**

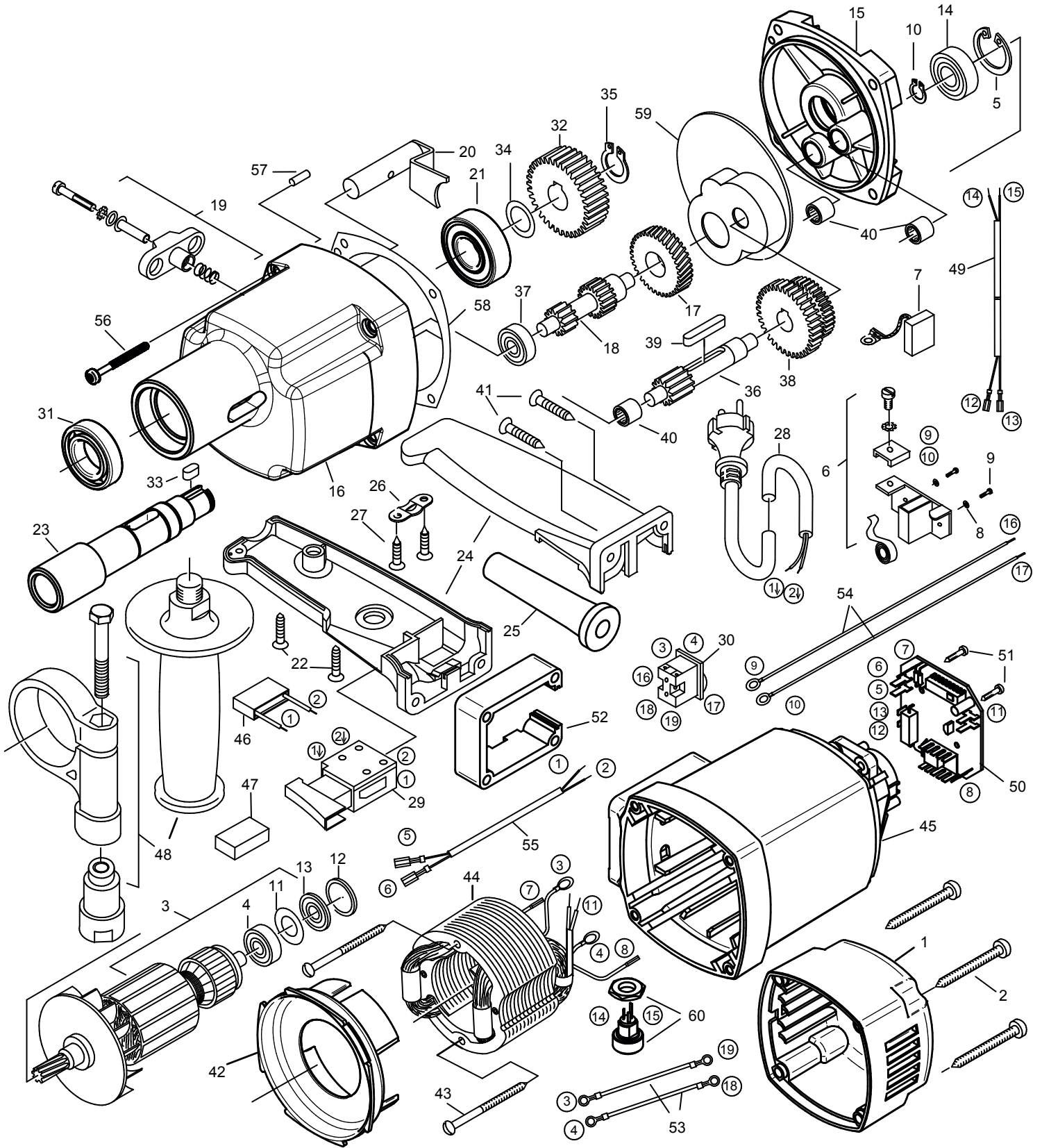
ART.: 20 8025 010 TYPE KATV55 - 230 VOLT /
ART.: 20 8025 020 TYPE KATV55 - 110 VOLT

ART.: 20 8026 010 TYPE KATSV55 - 230 VOLT /
ART.: 20 8026 020 TYPE KATSV55 - 110 VOLT



ART.: 20 8025 010 TYPE KATV55 - 230 VOLT / ART.: 20 8025 020 TYPE KATV55 - 110 VOLT

ART.: 20 8026 010 TYPE KATSV55 - 230 VOLT / ART.: 20 8026 020 TYPE KATSV55 - 110 VOLT



Subject to change

ART.: 20 8025 010 TYPE KATV55 - 230 VOLT / ART.: 20 8025 020 TYPE KATV55 - 110 VOLT
 ART.: 20 8026 010 TYPE KATSV55 - 230 VOLT / ART.: 20 8026 020 TYPE KATSV55 - 110 VOLT

EHB 20/2.4 R R/L - 230 V

no	description	part no	pcs
1	cap	80900093	1
2	self tapping screw HC 4,8x45	80201267	4
3	rotor complete	7432E100	1
4	grooved ball bearing 608 2Z	80410011	1
5	locking ring 28/1,2	80201333	1
6	brush holder	80201196	2
7	pair of brushes 6,3x10x18L85F13	80800400	2
8	lock washer B4	80201385	4
9	self tapping screw ZM4x12	80201180	4
10	locking ring 11/1	80201320	1
11	presspan washer	82000951	1
12	o ring 22x2,5	83000036	1
13	ring magnet	80701005	1
14	grooved ball bearing 6001 2RS	80410032	1
15	end shield of gearing, green	7731K610	1
16	gearbox housing, black	7132A400	1
17	intermediate wheel 33 t.	7132A470	1
18	shaft with 2 pinion 11/17 t.	71323500	1
19	gear changer complete	7154A545	1
20	coupling bolt complete	71323520	1
21	grooved ball bearing 6203 2RS	80410130	1
22	self tapping screw HC 4,2x16	80201271	2
23	work spindle	71323420	1
24	pair of handle halves	80900097	1
25	cable grommet	83000004	1
26	wire locking flange	85000020	1
27	self tapping screw HC 4,2x13	80201270	2
28	connecting cable 1mm ²	80600060	1
29	switch	80600507	1
30	reverser	80600103	1
31	grooved ball bearing 6904 2RS	80410152	1
32	spindle wheel 45 t.	71323430	1
33	fitting key A5x5x12	80200601	1
34	fitting washer 15/22x0,2	80200504	1
35	locking ring 15/1	80201322	1
36	shaft for gear block 13 t.	71223460	1
37	grooved ball bearing 608	80410010	1
38	gear block 34/40 t.	71323440	1
39	fitting key A5x5x28	80200602	1
40	needle sleeve HK 0810	80420110	3
41	self tapping screw HC 4,8x38	80201283	4
42	air guiding ring	80900286	1
43	self tapping screw C 3,9x60	80201266	2

no	description	part no	pcs
44	stator complete	7432E150	1
45	motor housing	73114200	1
46	anti parasite condenser	80500010	1
47	contact washer	80600306	1
48	side handle complete	7132A695	1
49	control wire	77314187	1
50	circuit board	80601192	1
51	self tapping screw HC 2,9x13	80201252	2
52	intermediate block	7132U290	1
53	interconnecting wire	80600243	2
54	wire	80600054	2
55	interconnecting wire	7152B184	1
56	pt-screw 50x50	80201449	4
57	notched pin plug 4x12	80200582	1
58	gearbox seal	82000507	1
59	grease compartment barrier	80900119	1
60	potentiometer 100kOhm	73114300	1

EHB 20/2.4 R R/L - 110 V

no	description	part no	pcs
3	rotor complete	7432N100	1
7	pair of brushes 6,3x10x18	80800500	2
28	connecting cable, 2/16AWG	80600085	1
44	stator complete	7432N150	1
50	circuit board	80800350	1



RoHS Certificate of Compliance

This document certifies that the part numbers listed in this document and manufactured by **Karnasch Professional Tools** do not to the knowledge of the certifier contain the substances listed in the table below in concentrations exceeding the Maximum Control Value (MCV), and will be compliant as of the date listed.

Substance	Maximum Control Value
Lead	0,1 % by weight (1000 ppm) (1)
Mercury	0,1 % by weight (1000 ppm)
Cadmium	0,01 % by weight (100 ppm) (1)
Hexavalent Chromium	0,1 % by weight (1000 ppm)
Polybrominated Biphenyls (PBB)	0,1 % by weight (1000 ppm)
Polybrominated Diphenyl Ethers (PBDE)	0,1 % by weight (1000 ppm)

(1) The MCV does not apply to applications for which exemptions have been granted to the RoHS Directive.

Products containing the substances listed in the table above, in concentrations below the MCV, are understood to be in compliance with Directive 2011/65/EU of the European Parliament and of the Council of 8 June 2011 on the restriction of the use of certain hazardous substances in electrical and electronics equipment (RoHS Directive) in accordance with the definitions set forth in the directives.

A list of Karnasch Professional Tools supplied products and the associated RoHS status is given in appendix 1.

Date of Issue: 03. February 16

Place of Issue: KARNASCH PROFESSIONAL TOOLS, Industrial Tools Division, Görsdorf

Signature:

Name: Michael Karnasch

Karnasch®



PROFESSIONAL TOOLS

Part Number	RoHS Compliant (y/n)	Compliant Since	Planned Start of Production of RoHS compatible components
KA40/KAS40	y	Start of Production	Available now
KA50/KAS50	y	Start of Production	Available now
KATV55/KATSV55	y	Start of Production	Available now
KA100/KAS100	y	Start of Production	Available now
KATV100/KATSV100	y	Start of Production	Available now
KALP45	y	Start of Production	Available now
KATV140	y	Start of Production	Available now

Karnasch®

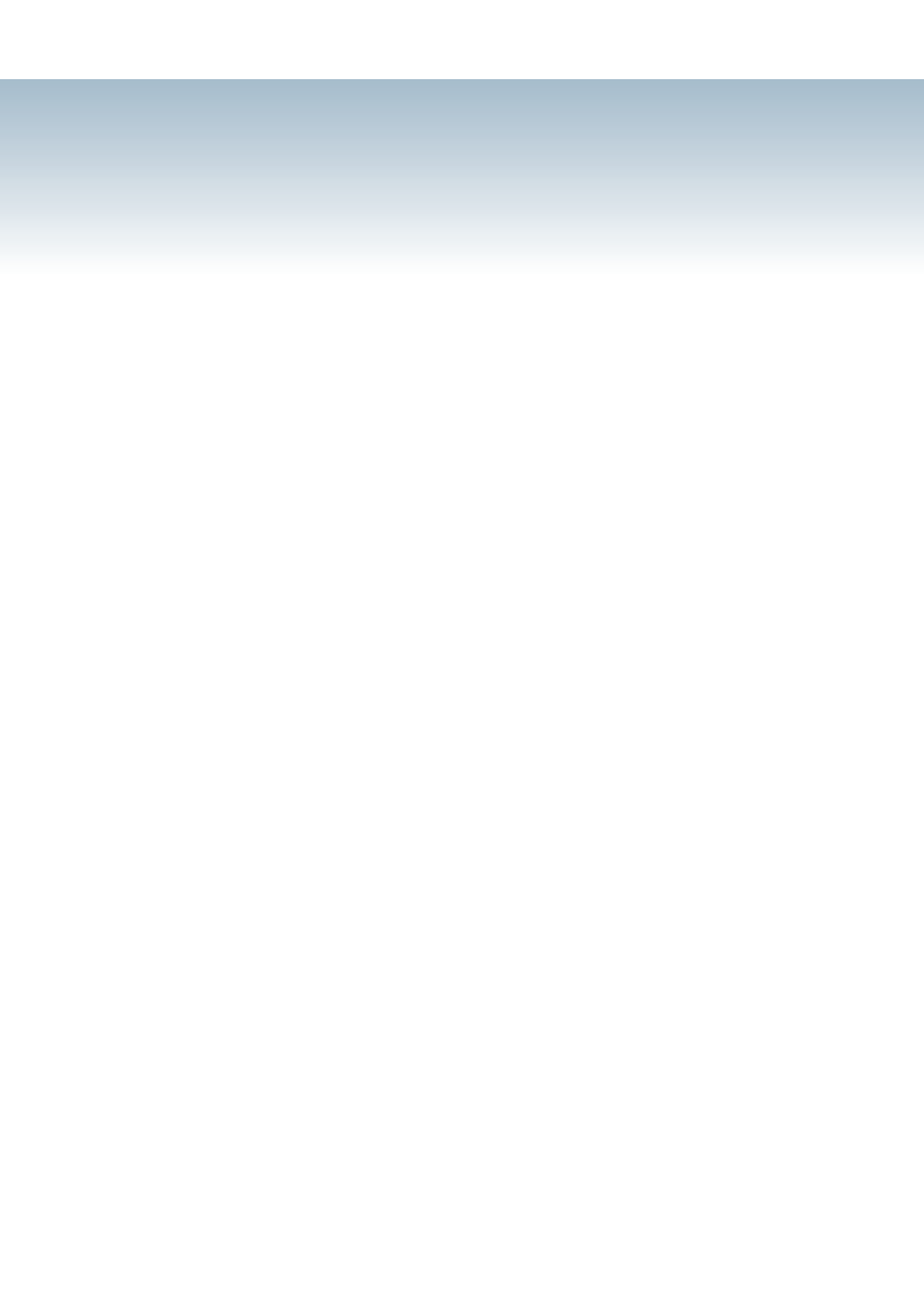
PROFESSIONAL TOOLS

EC declaration of conformity

Name/address of the producer:	Karnasch Professional Tools™ Industrial Tools Division Straße des Friedens 10 D – 15848 Tauche / OT Görzdorf
We confirm that the product	
Product:	Magnetic hole cutting machines
Typ:	Hole cutting machine 230/110 volts: KA40; KA100; KAS40; KA50; KAS50; KATV55; KATV100; KAS100; KATSV55; KASTV100; KALP45; KATV140
complies with the following relevant conditions:	
<ul style="list-style-type: none"> ▪ EC-directive 2006/42/EG about machines ▪ EC-directive 2004/108/EG about electromagnetic compatibility 	
Following harmonized norms where used in whole or in part:	
<ul style="list-style-type: none"> • DIN EN 61000-6-4:2007 + A1:2011 • DIN EN 55014-1:2006 + A1:2009 + A2:2011 • DIN EN 55014-2:1997 + Corr. 1997 + A1:2001 + A2:2008 • DIN EN 60745-1:2009 • DIN EN 60745-2-1:2010 	
Responsible person for the documentation to EC-directive 2006/42/EG is:	
 <hr/> Cindy Burchardt, clerk	
Görzdorf, 11.01.2016	 <hr/> Michael Karnasch, CEO

Karnasch Professional Tools GmbH
Industrial Tools Division
Straße des Friedens 10 · 15848 Görzdorf
Tel. +49(0)33675 7265-0 · Fax +49(0)33675 7101
e-mail: mail@karnasch.tools
www.karnasch.tools





KARNASCH PROFESSIONAL TOOLS®

CNC TOOLS DIVISION

Siemensstraße 1
D-68542 Heddeshheim

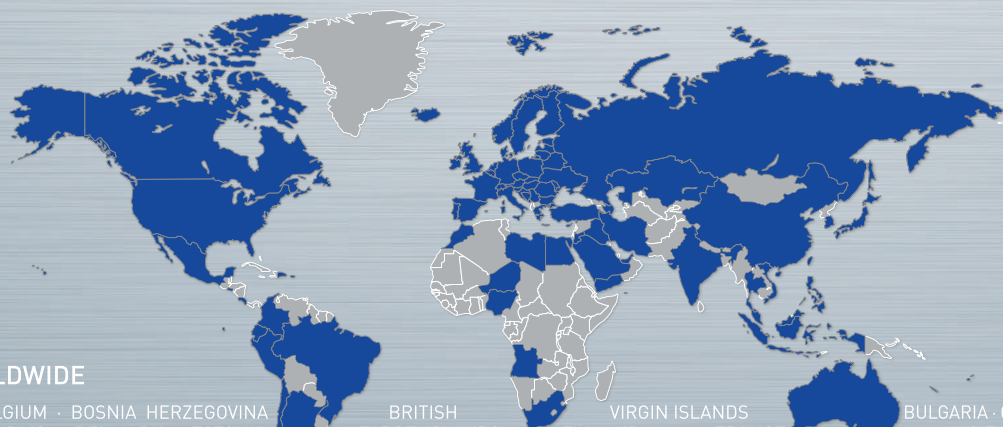
KARNASCH PROFESSIONAL TOOLS®

INDUSTRIAL TOOLS DIVISION

Straße des Friedens 10
D-15848 Tauche / OT Görzsdorf

CONTACT

Phone: +49 (0) 6203 4039-0
Fax: +49 (0) 6203 41590
E-Mail: info@karnasch.tools



KARNASCH WORLDWIDE

EUROPE AUSTRIA · BELGIUM · BOSNIA HERZEGOVINA · BRITISH VIRGIN ISLANDS · BULGARIA · CROATIA
CYPRUS · CZECH REPUBLIC · DENMARK · ESTONIA · FAROE ISLANDS · FINLAND · FRANCE · GEORGIA
GERMANY · GREECE · HUNGARY · ICELAND · IRELAND · ITALY · KOSOVO · LATVIA · LITHUANIA · LUXEMBOURG · MALTA · MOLDOVA
MONACO · MONTENEGRO · NETHERLANDS · NORWAY · POLAND · PORTUGAL · REPUBLIC OF MOLDOVA · REPUBLIC OF MACEDONIA · ROMANIA
RUSSIA · SAN MARINO · SLOVAKIA · SLOVENIA · SPAIN · SWEDEN · SWITZERLAND · TURKEY · UKRAINE · UNITED KINGDOM · WHITE RUSSIA/BELARUS
AFRICA ANGOLA · EGYPT · EQUATORIAL GUINEA · LYBIA · MOROCCO · NIGERIA · REPUBLIC OF MAURITIUS · SAUDIA ARABIA · SOUTH AFRICA
UAE/UNITED ARAB EMIRATES · **ASIA** ARMENIA · AZERBAIJAN · CHINA · DEMOCRATIC PEOPLE'S REPUBLIC OF KOREA · GEORGIA · HONG KONG · INDIA
INDONESIA · IRAN · ISRAEL · JAPAN · JORDAN · KAZAKHSTAN · KUWAIT · LEBANON · MALAYSIA · PHILIPPINES · QATAR · UAE/UNITED ARAB EMIRATES
SINGAPORE · SYRIA · TAIWAN · THAILAND · TUNESJEN REPUBLIC · VIETNAM · YEMEN · **SOUTH AMERICA** ARGENTINIA · BRAZIL · CHILE · COLOMBIA
EQUADOR · PERU · REPUBLIC OF VENEZUELA · **AMERICA** AMERICAN SAMOA · CANADA · USA · **MIDDLE AMERICA** COSTA RICA · EL SALVADOR · MEXICO
AUSTRALIA · **OCEANIA** CALEDONIA · NEW ZEALAND