

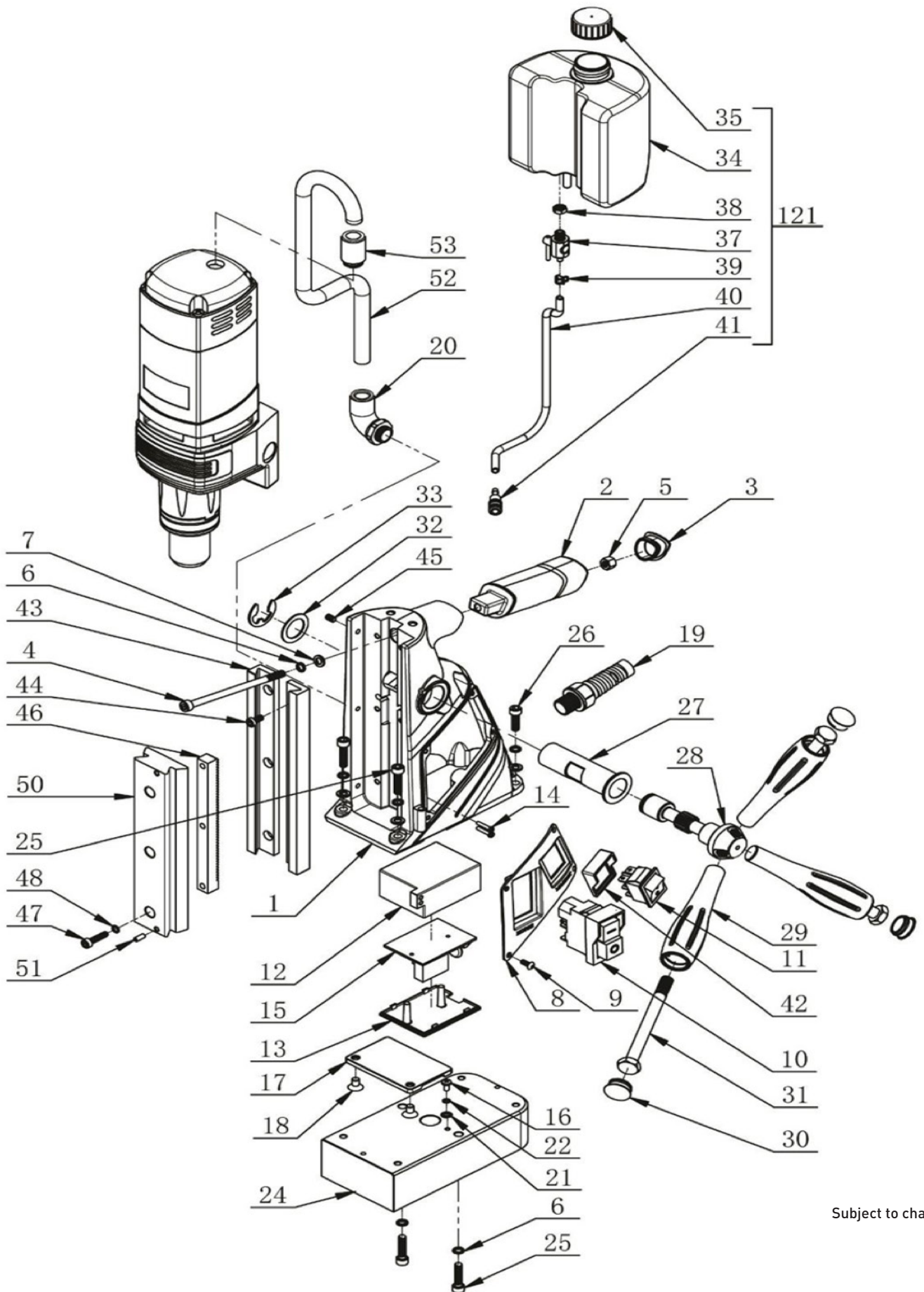
**MAGNETIC-BASE SPARE PARTS LIST FOR  
KARNASCH MAGNETIC HOLE CUTTING MACHINES**

ART.: 20 8013 TYPE KA35 - 230 VOLT /  
ART.: 21 8013 TYPE KA35 - 110 VOLT



ART.: 20 8013 TYPE KA35 - 230 VOLT /

ART.: 21 8013 TYPE KA35 - 110 VOLT



Subject to change

no	description	pcs	size
1	Fuselage	1	DX-35
2	Handle	1	31×37×112
3	Handle cap	1	19×25×11
4	Hexagon socket head cap screws	1	M6×110
5	Hexagon lock nut	1	M6
6	Spring washers	6	M6
7	Gaskets	5	M6
8	Button panel	1	110×75×7
9	Hexagon flat & round head cap screws	4	M4×10
10	Magnetic waterproof switch	1	KDJ17 220V
11	Rocker Switch	1	KCD4
12	Circuit board box	1	52×74×38
13	Cap of circuit board box	1	52×66×6
14	Cross screws	2	M3×15
15	Circuit board	1	DX-35 AC220
16	Self-tapping screws	2	ST2.9×6.5
17	Sealed plate	1	76×50×5
18	Hexagon head screws	2	M6×10
19	Durable twisting connector	1	MA16-P-10
20	Corner connector	1	ZT-M16-E-AD13
21	Cable	1	220V
22	Spring washer	1	M4
24	Magnetic base	1	165×80×43 220V
25	Hexagon round head screws	2	M6×25
26	Hexagon round head screws	4	M6×20
27	Sealed sleeve for feed shaft	1	Φ20×Φ23×80
28	Pinion gear	1	Φ31.5×104z15m1
29	Feed handles	3	Φ10×Φ30×120
30	Feed handle caps	3	Φ20×9
31	Hexagon head bolts	3	M10×110
32	Flat washer	1	Φ21×Φ32×1
33	Open ring	1	Φ15×Φ29.5×1.5
34	Liquid container	1	600ml
35	Cap of Liquid container	1	Φ33×15.5
37	Valve fittings	1	12×7.5

no	description	pcs	size
38	Hexagon thin nut	1	M8×1
39	Steel belt type elastic hoop	1	Φ6
40	PU tube	1	6×4
41	Water nozzle	1	4mm
42	Ship type head cover	1	37*30.5*12
43	Slideways	2	208×22×15.5
44	Hexagon screws	6	M5×10
45	Hexagon screws	3	M5×8
46	Rack	1	152×12.5×12
47	Hexagon screws	3	M5×15
48	Spring washers	3	M5
50	Slide	1	190×49×21
51	Hexagon screws	2	M4×10
52	Nylon wave tube	1	PA-AD13
53	Straight wave tube fittings	1	ZT-M16-AD13
121	Kettle assembly	1	34, 35, 37, 38, 39, 40, 41



## KARNASCH PROFESSIONAL TOOLS®

### CNC TOOLS DIVISION

Siemensstraße 1  
D-68542 Heddeshheim

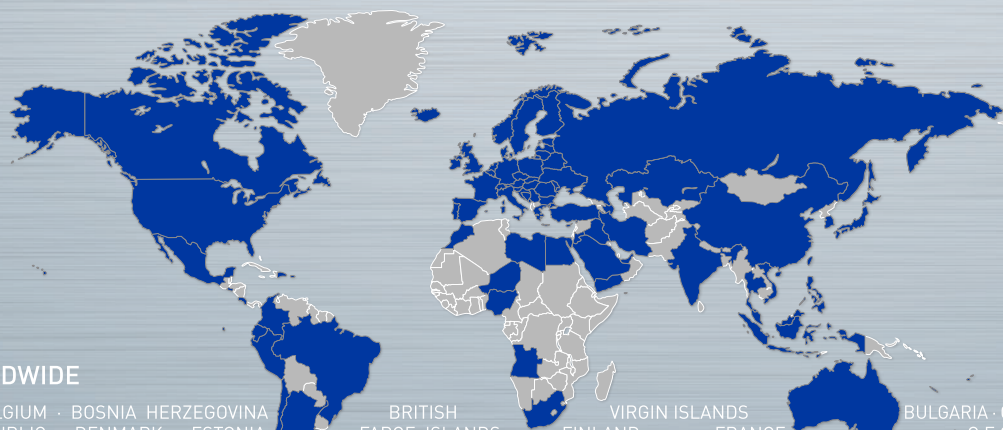
## KARNASCH PROFESSIONAL TOOLS®

### INDUSTRIAL TOOLS DIVISION

Straße des Friedens 10  
D-15848 Tauche / OT Görzdorf

### CONTACT

Phone: +49 (0) 6203 4039-0  
Fax: +49 (0) 6203 41590  
E-Mail: [info@karnasch.tools](mailto:info@karnasch.tools)



### KARNASCH WORLDWIDE

**EUROPE** AUSTRIA · BELGIUM · BOSNIA HERZEGOVINA · BRITISH VIRGIN ISLANDS · BULGARIA · CROATIA  
CYPRUS · CZECH REPUBLIC · DENMARK · ESTONIA · FAROE ISLANDS · FINLAND · FRANCE · GEORGIA  
GERMANY · GREECE · HUNGARY · ICELAND · IRELAND · ITALY · KOSOVO · LATVIA · LITHUANIA · LUXEMBOURG · MALTA · MOLDOVA  
MONACO · MONTENEGRO · NETHERLANDS · NORWAY · POLAND · PORTUGAL · REPUBLIC OF MOLDOVA · REPUBLIC OF MACEDONIA · ROMANIA  
RUSSIA · SAN MARINO · SLOVAKIA · SLOVENIA · SPAIN · SWEDEN · SWITZERLAND · TURKEY · UKRAINE · UNITED KINGDOM · WHITE RUSSIA/BELARUS  
**AFRICA** ANGOLA · EGYPT · EQUATORIAL GUINEA · LYBIA · MOROCCO · NIGERIA · REPUBLIC OF MAURITIUS · SAUDI ARABIA · SOUTH AFRICA  
UAE/UNITED ARAB EMIRATES · **ASIA** ARMENIA · AZERBAIJAN · CHINA · DEMOCRATIC PEOPLE'S REPUBLIC OF KOREA · GEORGIA · HONG KONG · INDIA  
INDONESIA · IRAN · ISRAEL · JAPAN · JORDAN · KAZAKHSTAN · KUWAIT · LEBANON · MALAYSIA · PHILIPPINES · QATAR · UAE/UNITED ARAB EMIRATES  
SINGAPORE · SYRIA · TAIWAN · THAILAND · TUNESIEN REPUBLIC · VIETNAM · YEMEN · **SOUTH AMERICA** ARGENTINIA · BRAZIL · CHILE · COLOMBIA  
EQUADOR · PERU · REPUBLIC OF VENEZUELA · **AMERICA** AMERICAN SAMOA · CANADA · USA · **MIDDLE AMERICA** COSTA RICA · EL SALVADOR · MEXICO  
**AUSTRALIA · OCEANIA** CALEDONIA · NEW ZEALAND