

MAGNETIC-BASE SPARE PARTS LIST FOR
KARNASCH MAGNETIC HOLE CUTTING MACHINES

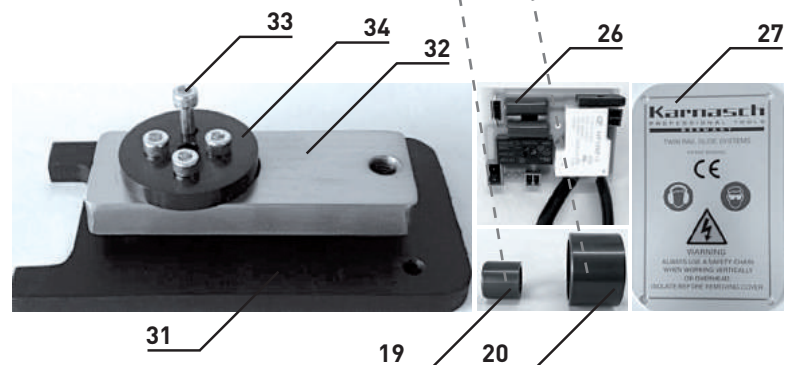
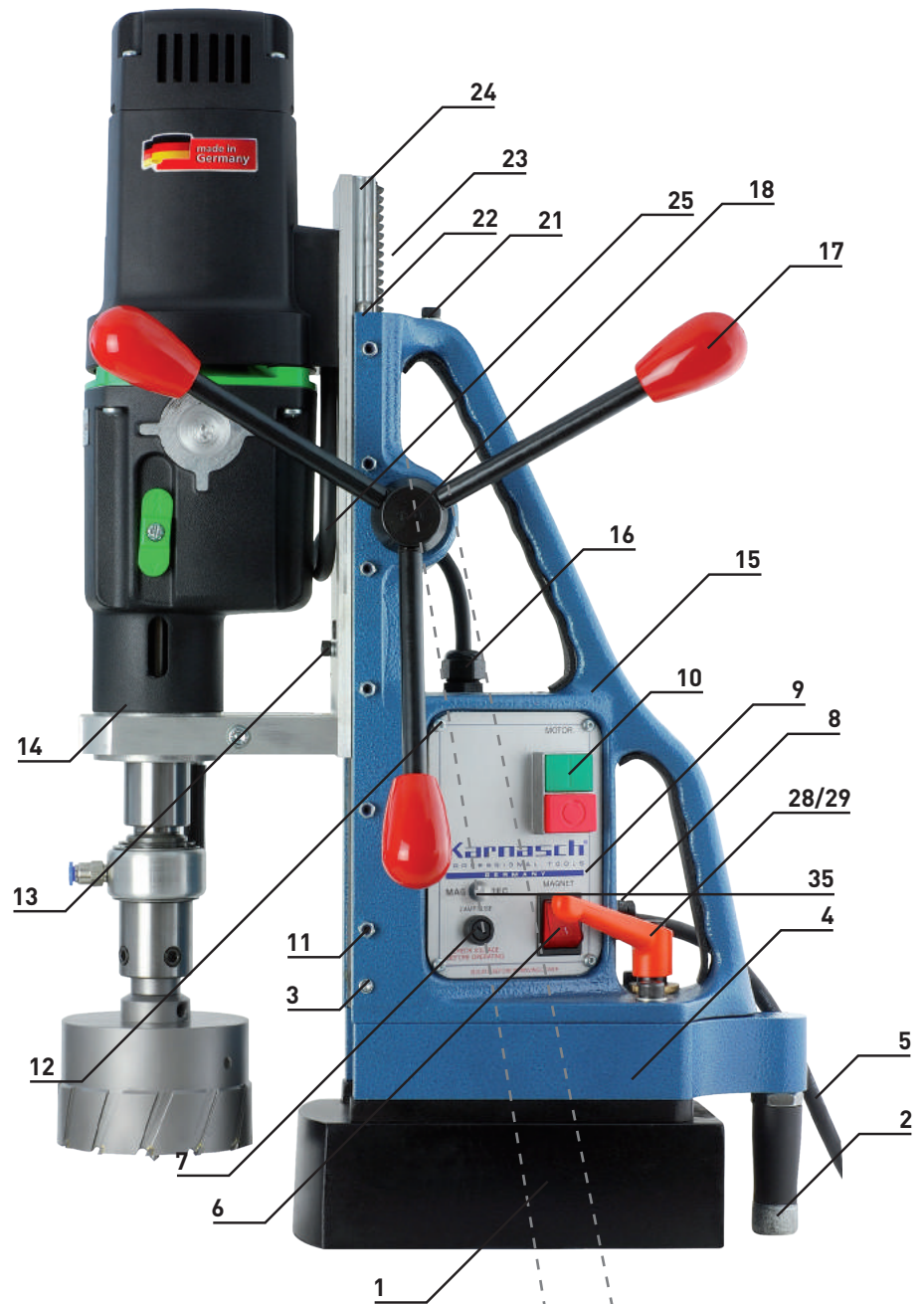
ART.: 20 8028 010 TYPE KAS100 - 230 VOLT /
ART.: 20 8028 020 TYPE KAS100 - 110 VOLT

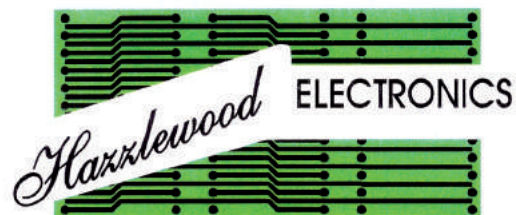


ART.: 20 8028 010 TYPE KAS100 - 230 VOLT /

ART.: 20 8028 020 TYPE KAS100 - 110 VOLT

no	parts list
1	MAGNET BASE
2	STAVILIZER BOLT
3	M4 RAIL FIXING BOLT
4	M6 CASTING/MAGNET FIXING BOLT
5	MAINS CABLE
6	MAGNET/POWER SWITCH
7	FUSE HOLDER
8	CABLE GLAND FOR MAINS CABLE
9	SWITCH PLATE
10	MOTOR STOP/START SWITCH
11	M5 RAIL ADJUSTMENT SCREWS/ LOCK NUTS
12	SWITCH PLATE FIXING SCREWS (4)
13	M5 SLIDE STOP BOLT
14	GEAR BOX SUPPORT/FIXING BRACKET
15	MAIN BODY CASTING
16	CABLE GLAND FOR MOTOR CABLE
17	HANDLE COMPLETE WITH KNOB
18	PINION GEAR
19	PINION BUSH SMALL 12MM ID
20	PINION BUSH LARGE LARGE 25MM ID
21	M6 COOLANT BOTTLE FIXING BOLT
22	8 MM DIA SLIDE RAIL
23	RACK
24	SLIDE
25	MOTOR CABLE
26	PCB CONTROL
27	BACK PLATE/WARNING
28	SWIVEL TOGGLE HANDLE/LOCK
29	SWIVEL TOGGLE BUSH
30	SWIVEL HOUSING
31	SWIVEL PLATE
32	SWIVEL JACK/LOCK
33	M6 X 4 SPIGGOT FIXING BOLTS
34	SWIVEL SPIGGOT
35	MAG-TEC SENSOR





CERTIFICATE OF CONFORMITY

CERTIFICATE OF CONFORMITY
 Certified that the whole of the supplies detailed herein have been inspected tested and unless otherwise stated ,conform in all respects to the specification, Drawings/Contract/Order relative thereto.
 SIGNED;- *[Signature]*

Hazzlewood Electronics,
 10 Wannop Street,
 Rotherham,
 S.Yorks. S62 6ER
 Tel. 01709 525807

Certificate No.	141133	Date.	25.11.14
Customers Name & Address. KARNASCH PROFESSIONAL TOOLS GMBH INDUSTRIAL TOOLS DIVISION STRASSE DES FRIEDENS 10 15848 TAUCHE / OT GÖRSDORF GERMANY		Purchase Order No.	KW251114
		Cust. Part Ref.	PC100/UL
		Cust. Drg. Ref.	PC100
		U/L number	E349020
Quantity ;-	125	Our Ref. No.;	PCB-MAG-PC100
Description of goods ;-	PCB-PC100-UL-APPROVED		
Condition of despatched material ;- VISUAL INSPECTION			
Agreed Concessions ;- NONE			
Further treatments required ;- NO			
Certified as 'LEAD FREE' under the EU ROHS directive. (Y/N) <input checked="" type="checkbox"/> Y			
Signature of Authorised Q.A. Personnel ;-			<i>[Signature]</i>

KARNASCH PROFESSIONAL TOOLS®

CNC TOOLS DIVISION

Siemensstraße 1
D-68542 Heddeshheim

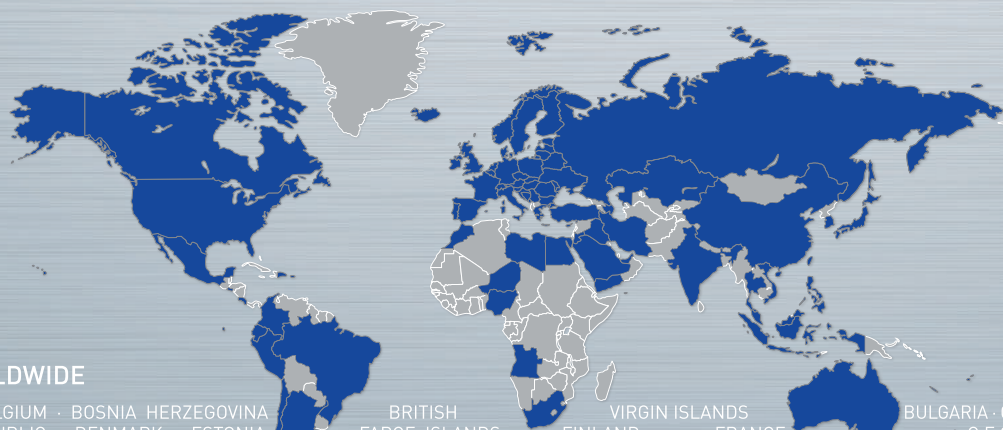
KARNASCH PROFESSIONAL TOOLS®

INDUSTRIAL TOOLS DIVISION

Straße des Friedens 10
D-15848 Tauche / OT Görzsdorf

CONTACT

Phone: +49 (0) 6203 4039-0
Fax: +49 (0) 6203 41590
E-Mail: info@karnasch.tools



KARNASCH WORLDWIDE

EUROPE AUSTRIA · BELGIUM · BOSNIA HERZEGOVINA · BRITISH FAROE ISLANDS · FINLAND · FRANCE · GERMANY · GREECE · HUNGARY · ICELAND · IRELAND · ITALY · KOSOVO · LATVIA · LITHUANIA · LUXEMBOURG · MALTA · MOLDOVA · MONACO · MONTENEGRO · NETHERLANDS · NORWAY · POLAND · PORTUGAL · REPUBLIC OF MOLDOVA · REPUBLIC OF MACEDONIA · ROMANIA · RUSSIA · SAN MARINO · SLOVAKIA · SLOVENIA · SPAIN · SWEDEN · SWITZERLAND · TURKEY · UKRAINE · UNITED KINGDOM · WHITE RUSSIA/BELARUS · **AFRICA** ANGOLA · EGYPT · EQUATORIAL GUINEA · LYBIA · MOROCCO · NIGERIA · REPUBLIC OF MAURITIUS · SAUDIA ARABIA · SOUTH AFRICA · UAE/UNITED ARAB EMIRATES · **ASIA** ARMENIA · AZERBAIJAN · CHINA · DEMOCRATIC PEOPLE'S REPUBLIC OF KOREA · GEORGIA · HONG KONG · INDIA · INDONESIA · IRAN · ISRAEL · JAPAN · JORDAN · KAZAKHSTAN · KUWAIT · LEBANON · MALAYSIA · PHILIPPINES · QATAR · UAE/UNITED ARAB EMIRATES · SINGAPORE · SYRIA · TAIWAN · THAILAND · TUNESJEN REPUBLIC · VIETNAM · YEMEN · **SOUTH AMERICA** ARGENTINIA · BRAZIL · CHILE · COLOMBIA · EQUADOR · PERU · REPUBLIC OF VENEZUELA · **AMERICA** AMERICAN SAMOA · CANADA · USA · **MIDDLE AMERICA** COSTA RICA · EL SALVADOR · MEXICO · AUSTRALIA · **OCEANIA** CALEDONIA · NEW ZEALAND